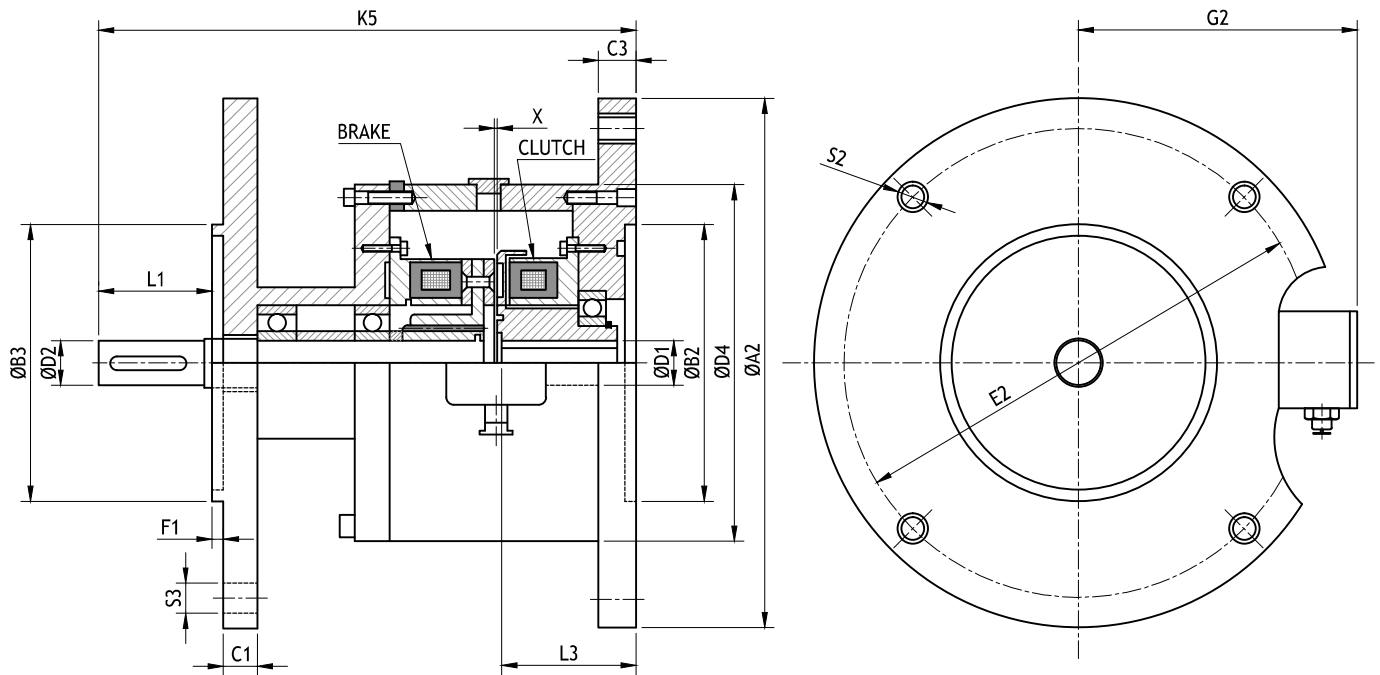


ELECTRO MAGNETIC ENCLOSED TYPE FLANGE MOUNTED CLUTCH - BRAKE COMBINATION (CBC) HOLLOW INPUT CLUTCH WITH SOLID SHAFT BRAKE



MODEL :	P 63	P 80	P 100	P 125	P 160
TORQUE NM	7.5	15	30	60	120
POWER IN (W) AT 20 °C CLUTCH	15	20	28	35	50
POWER IN (W) AT 20 °C BRAKE	12	16	21	28	38
Ø A2	140	160	200	250	300
Ø B3 J6	95	110	130	180	230
Ø B2	95	110	130	180	230
C3	10	12	12	16	16
Ø D1 G7	11	14	19/24	24/28	38
Ø D2 K6	11	14	19/24	24/28	38
Ø E2	115	130	165	215	265
F2	5	5	5	5	6
F1	3	3.5	3.5	4	4
G2	83	94	109	122	147
K5	150	169	198	234	284
L1	30	40	50	60	80
S2	M8	M8	M10	M12	M12
S3	9.5	11.5	11.5	14	14
L3	43	46	52	60	80
C1	9	9	10	11	12
Ø D4	115	132	168	192	251
X	0.2	0.2	0.2	0.3	0.3

NOTES:

ALL DIMENSIONS ARE IN MM.
ALTERNATIONS RESERVED.
STANDARD VOLTAGES: 24VDC,
96VDC, 190VDC.
1 Nm = 0.102 Kgm = 0.737 lb.
ft.

PETHE INDUSTRIAL MARKETING CO. PVT. LTD.



TITLE: ELECTRO MAGNETIC ENCLOSED TYPE FLANGE MOUNTED
CLUTCH - BRAKE COMBINATION (CBC)

69, S.K. BOLE ROAD, DAGDIWADI, DADAR (W)
MUMBAI - 400 028